

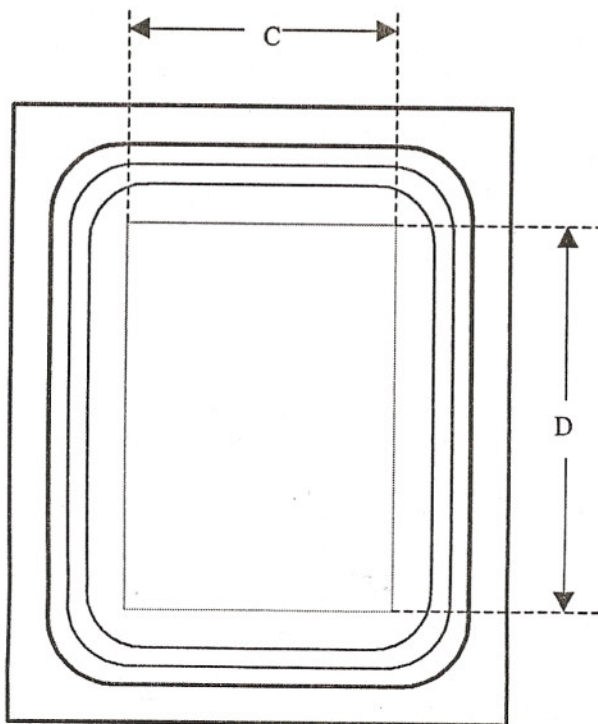


Sierra Components, Inc.

2222 Park Place Building 3 Suite E • Minden, Nevada 89423

Phone: 775.783.4940 Fax: 775.783.4947

Chip back potential is the level which bulk silicon is maintained by on-chip connection, or it is the level to which the chip back must be connected when specifically stated below. If no potential is given the chip back should be isolated.



Bond Pad Dimensions:
C = 64 Mils
D = 104 Mils

Topside Metal: Al
Backside: Si
Backside Potential:
Mask Ref:
Bond Pads : .004" min

APPROVED BY: CD

DIE SIZE : .115" x .155"

DATE: 2/5/01

MFG: Harris

THICKNESS: .015"

P/N: HF30A060ACD